

0537 SERIES



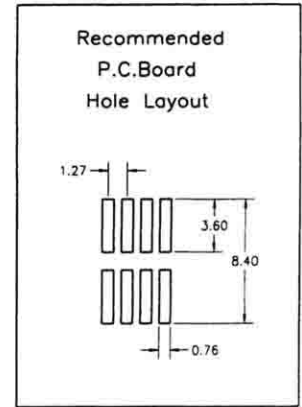
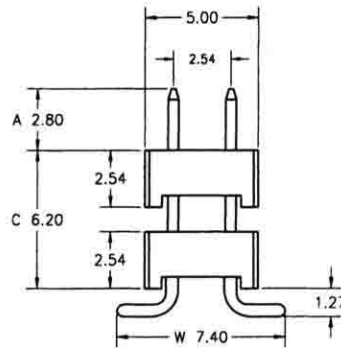
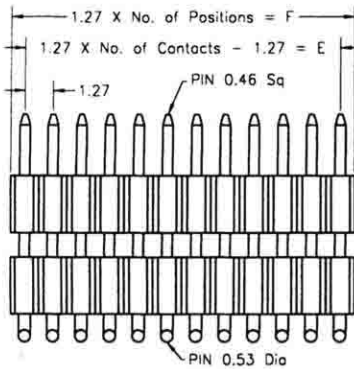
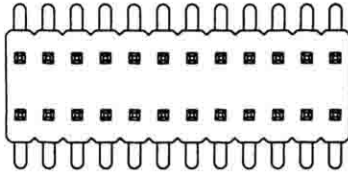
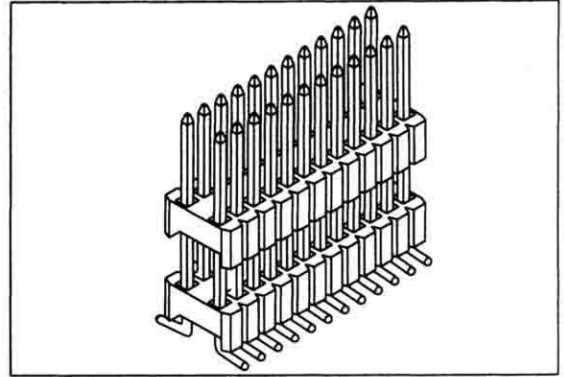
1.27x2.54mm(0.05"x0.1"), 0.46mm Square Pin, Board Spacer, Dual Row, S.M.T

Specifications

- Current Rating: 1Ampere
- Insulation Resistance: 500MΩ Min.
- Dielectric Withstanding: 300V AC
- Contact Resistance: 20mΩ Max.
- Operating Temperature: -40°C to +105°C

Materials

- Contact Material: Phosphor Bronze
- Contact Plating: Gold/Tin over Nickel
- Insulator: Glass Filled Polyester (UL 94V-0)



No. of Pins/Row	Dimension Information		No. of Pins/Row	Dimension Information		No. of Pins/Row	Dimension Information		No. of Pins/Row	Dimension Information	
	E	F		E	F		E	F		E	F
-	-	-	10	11.43	12.70	18	21.59	22.86	26	31.75	33.02
03	2.54	3.81	11	12.70	13.97	19	22.86	24.13	27	33.02	34.29
04	3.81	5.08	12	13.97	15.24	20	24.13	25.40	28	34.29	35.56
05	5.08	6.35	13	15.24	16.51	21	25.40	26.67	29	35.56	36.83
06	6.35	7.62	14	16.51	17.78	22	26.67	27.94	30	36.83	38.10
07	7.62	8.89	15	17.78	19.05	23	27.94	29.21			
08	8.89	10.16	16	19.05	20.32	24	29.21	30.48			
09	10.16	11.43	17	20.32	21.59	25	30.48	31.75			

Ordering Information

0537 - X 4 1 - XX 0

1: Tin

2: Gold

3: Half Gold

Position